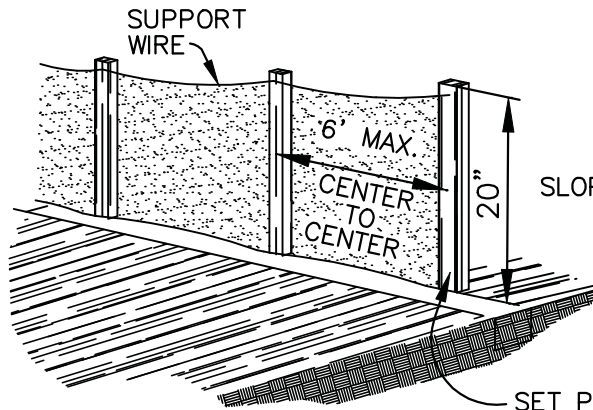
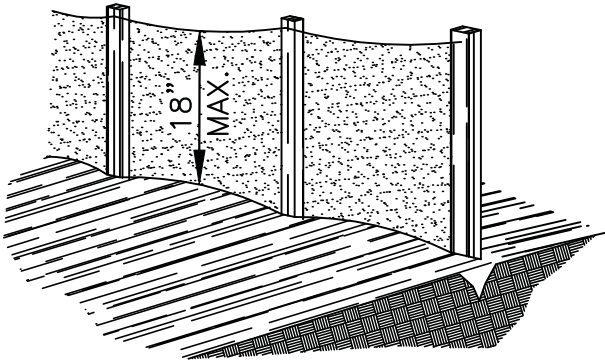
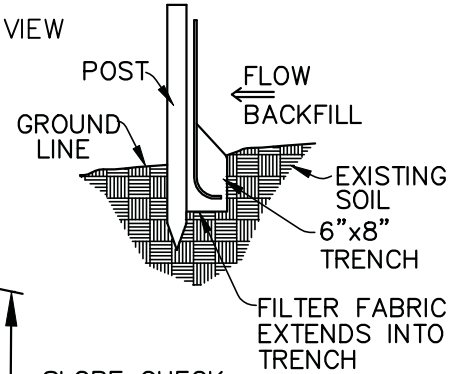


EROSION CONTROL AT BASE OF SLOPE

NOT TO SCALE

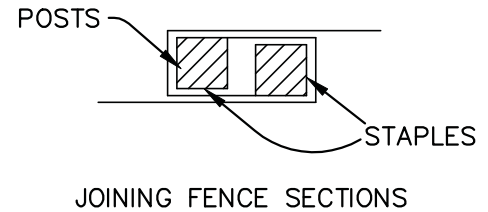
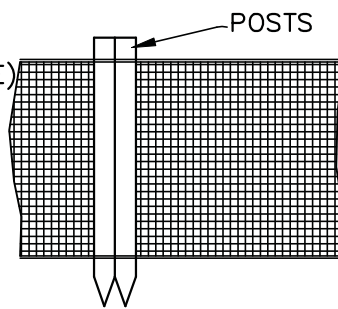
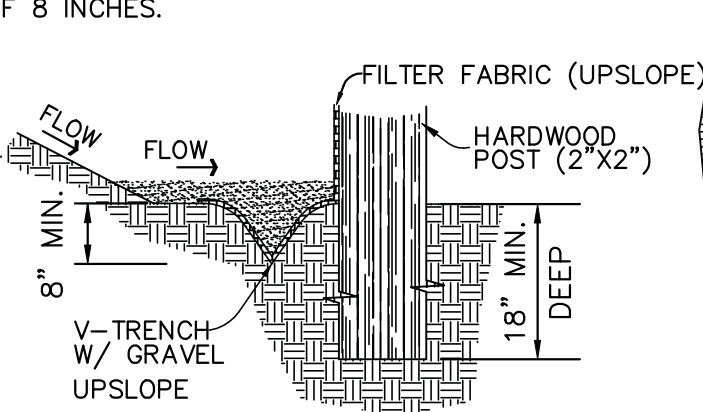


SLOPE CHECK

SET POSTS AT LOW POINTS OF THE GROUND.

1. ATTACH THE FILTER FABRIC TO THE WIRE FENCE AND EXTEND THE WIRE AND THE FABRIC INTO THE V-TRENCH, A MINIMUM OF 8 INCHES.

2. BACKFILL AND COMPACT THE EXCAVATED SOIL.



WHEN JOINING TWO OR MORE SILT FENCES, WRAP THE TWO END POSTS TOGETHER AT LEAST ONE FULL TURN.

SILT FENCE INSTALLATION

NOT TO SCALE

NOTE 1: SLICING-IN THE FABRIC IS AN ALTERNATIVE METHOD FOR DIGGING THE V-TRENCH.

NOTE 2: SEE PRACTICE 3.74 FOR SELECTION, INSTALLATION AND MAINTENANCE OF SILT FENCE.

